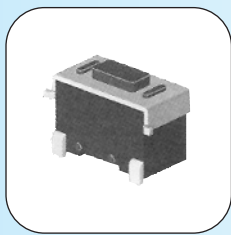


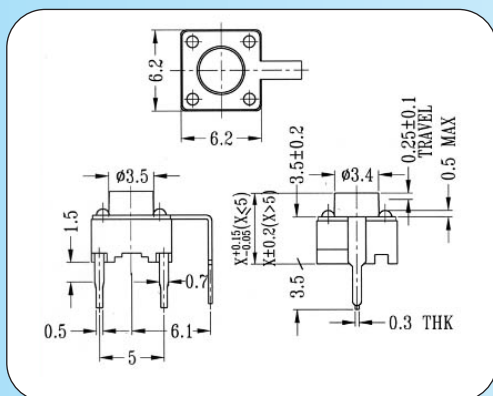
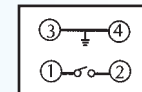
TD-30EA TD-30EB



MODEL	STEM LENGTH	TAPE & REEL OPTION
TD-30EA	X = 5.0	Option
TD-30EB	X = 4.3	Option

1. RATING: DC 12V 50mA
2. TRAVEL: 0.25 ± 0.1 mm
3. CONTACT RESISTANCE 100mΩ MAX
4. OPERATING FORCE: 190gf ± 50gf

CIRCUIT DIAGRAM



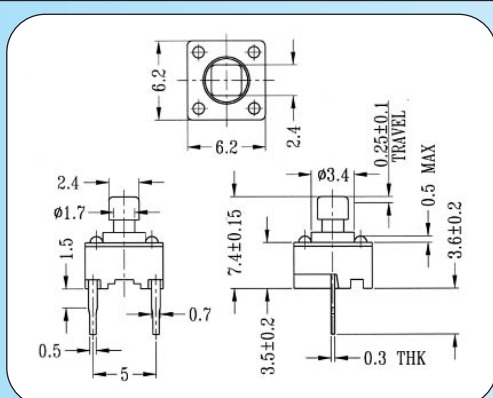
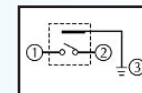
TC-0412 series



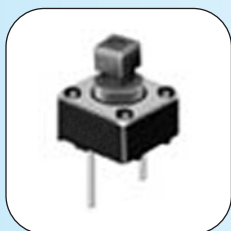
MODEL	Knob Name	Stem length, mm	CODE	Operating Force, gf
TC-0411	TC-0111 Knob	17	T	100±30
TC-0412	TC-0102 Knob	4.3	V	130±30
TC-0413	TC-0103 Knob	5.0	X	160±50
TC-0414	TC-0104 Knob	7.0	W	170±50
TC-0415	TC-0105 Knob	7.3	Y	190±50
TC-0416	TC-0106 Knob	8.0	Z	250±100
TC-0417	TC-0107 Knob	8.5		
TC-0418	TC-0108 Knob	9.5		
TC-0419	TC-0109 Knob	12.5		
TC-0419A	TC-0109A Knob	13.0		
TC-420	TC-0110 Knob	13.5		

1. RATING: DC 12V 50mA
2. TRAVEL: 0.25 ± 0.1 mm
3. CONTACT RESISTANCE 100mΩ MAX

CIRCUIT DIAGRAM



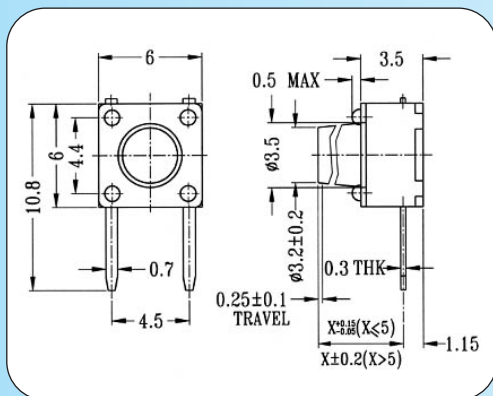
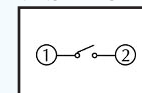
TC-0424 series



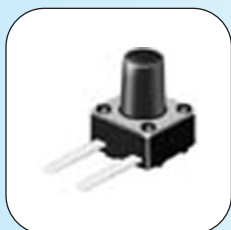
CODE	Operating Force, gf
T	100±30
V	130±30
X	160±50
W	170±50
Y	190±50
Z	250±100

1. RATING: DC 12V 50mA
2. TRAVEL: 0.25 ± 0.1 mm
3. CONTACT RESISTANCE 100mΩ MAX

CIRCUIT DIAGRAM



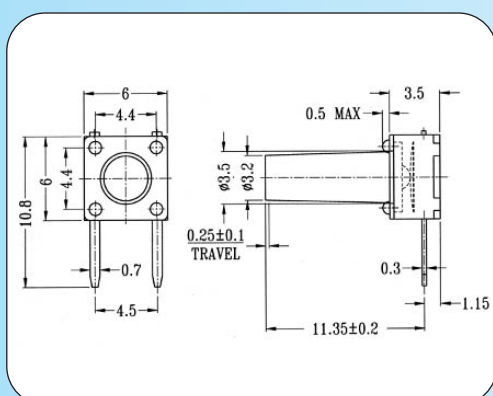
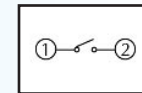
TC-0502



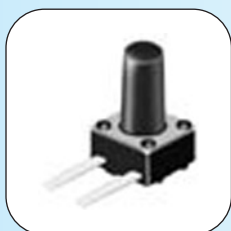
MODEL	Knob Name	Stem length, mm	CODE	Operating Force, gf
TC-0501	TC-0111 Knob	15.58	T	100±30
TC-0502	TC-0102 Knob	3.15	V	130±30
TC-0503	TC-0103 Knob	3.85	X	160±50
TC-0504	TC-0104 Knob	5.85	W	170±50
TC-0505	TC-0108 Knob	8.35	Y	190±50
TC-0506	TC-0106 Knob	6.85	Z	250±100
TC-0507	TC-0109 Knob	11.35		
TC-0508	TC-0105 Knob	6.15		
TC-0509A	TC-0109A Knob	11.85		
TC-510	TC-0110 Knob	12.35		

1. RATING: DC 12V 50mA
2. TRAVEL: 0.25 ± 0.1 mm
3. CONTACT RESISTANCE 100mΩ MAX

CIRCUIT DIAGRAM



TC-0507



1. RATING: DC 12V 50mA

CIRCUIT DIAGRAM

