

# PRODUKT-INFO

## UM-5 HIGH PRECISION CRYSTAL

### FEATURES

1. Wide frequency range.
2. Tight tolerance and stability over temperature.
3. Miniature and compact.
4. Metal package / holder.

Actual Size



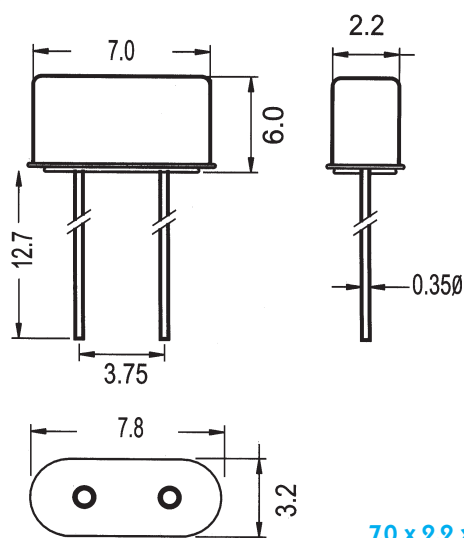
### APPLICATION

Ideal for telecommunications such as pagers (beepers), hand-held radios.

ELECTRICAL SPECIFICATIONS	
Model	UM-5
Frequency Range	10.0 MHz ~ 200.0 MHz
Crystal Cut	AT-cut
Load Capacitance (C.)	8 pF ~ 32 pF, Series (Customer Spec.)
Drive Level	100 $\mu$ W (500 $\mu$ W max.)
Frequency Tolerance (at +25°C)	$\pm 3$ ppm / $\pm 5$ ppm / $\pm 10$ ppm / $\pm 20$ ppm / $\pm 30$ ppm
Equivalent Series Resistance	30 $\Omega$ ~ 150 $\Omega$ max.
Frequency Stability	$\pm 5$ ppm / $\pm 10$ ppm / $\pm 15$ ppm / $\pm 20$ ppm / $\pm 25$ ppm / $\pm 30$ ppm / $\pm 50$ ppm / $\pm 100$ ppm
Operating Temperature Range	-10°C to +60°C, -20°C to +70°C, -40°C to +85°C option
Storage Temperature Range	-50°C to +105°C
Aging (at +25°C) first year	$\pm 3$ ppm / year max.

Dimensions (Units: mm)

Package: UM-5



### OPTIONS:

Also available as SMD crystal  
(gullwing with metal jacket) - UM-5/MJ.

Auch in SMD Version verfügbar  
(Gullwing mit Metal Jacket) - UM-5/MJ.

*Crystals...  
and more*

Now available

RoHS  
COMPLIANT  
2002/95/EC

**digital electronic  
siegfried lehrer gmbh**  
Rudolf-Wanzl-Str. 3+5  
D-89340 Leipzig / Germany  
www.digitallehrer.de  
digital@digitallehrer.de

Telefon +49 (0) 82 21 / 7 08 - 0 · Telefax +49 (0) 82 21 / 7 08 - 80

All specifications subject to change without notice.