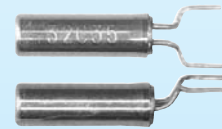


PRODUKT-INFO

TSM-26B SMD CRYSTAL (UHRENQUARZ) TUNING FORK CRYSTAL

FEATURES

1. Ultra-miniature type of SMD. Cylinder type metal package / holder with lead-bent gull wing.
2. Highly stable characteristics-high enough to permit reflow soldering.
3. Can be mounted automatically.
4. Low consumption makes it ideal for application to portable equipment.



Actual Size

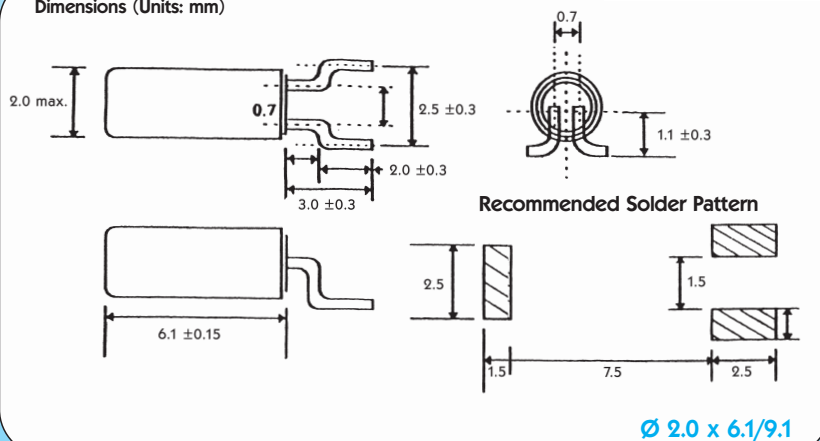


ELECTRICAL SPECIFICATIONS

Model	TSM-26B
Nominal Frequency	32.768 kHz
Frequency Tolerance (at +25°C)	±10 ppm / ±20 ppm / ±30 ppm
Turnover Temperature	+25°C ±5°C
Temperature Coefficient	-0.034 ppm/°C ² typical
Operating Temperature Range	-10°C to +60°C, -40°C to +85°C option
Equivalent Series Resistance	35 kΩ max.
Load Capacitance (C _L)	12.5 pF typical
Shunt Capacitance	1.2 pF typical
Drive Level	1 μW max.
Insulation Resistance	500 MΩ at 100 V _{DC} ±5V
Aging (at +25°C) first year	±3 ppm / year max.

CROSS REFERENCES: • CMR-200T CITIZEN

Dimensions (Units: mm)



*Crystals...
and more*

Now available



**digital electronic
siegfried lehrer gmbh**
Rudolf-Wanzl-Str. 3+5
D-89340 Leipheim / Germany
www.digitallehrer.de
digital@digitallehrer.de

Telefon 0 82 21 / 7 08 - 0 · Telefax 0 82 21 / 7 08 - 80

All specifications subject to change without notice.