

PRODUKT-INFO

CPX-42 SMD CRYSTAL

FEATURES

1. Ultra-thin and small type surface mounting quartz crystal with height only 0.8 mm.
2. A highly reliable seam welding sealing is adopted to assure high realization and reflow soldering is possible.
3. Automatic mounting is enabled by emboss taping.



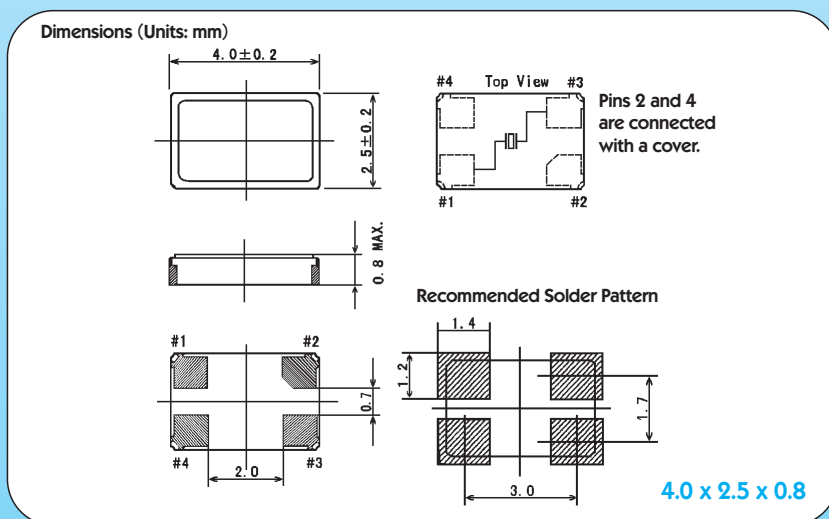
Actual Size



APPLICATION

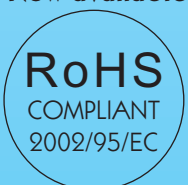
Cellphones, Bluetooth, Modems, Keyless-Go Systems, Automotive, etc.

ELECTRICAL SPECIFICATIONS							
Model	CPX-42						
Frequency Range	12.0 MHz ~ 54.0 MHz						
Oscillation Mode / Crystal Cut	Fundamental / AT-cut						
Load Capacitance (C_L)	8 pF ~ 12 pF (Customer Spec.)						
Drive Level	100 μW (300 μW max.)						
Frequency Tolerance (at +25°C)	±10 ppm / ±15 ppm / ±30 ppm						
Equivalent Series Resistance (ESR)	<table border="1"> <tr> <td>12.0 MHz ~ 19.999 MHz</td> <td>80 Ω max.</td> </tr> <tr> <td>20.0 MHz ~ 25.999 MHz</td> <td>70 Ω max.</td> </tr> <tr> <td>26.0 MHz ~ 54.000 MHz</td> <td>50 Ω max.</td> </tr> </table>	12.0 MHz ~ 19.999 MHz	80 Ω max.	20.0 MHz ~ 25.999 MHz	70 Ω max.	26.0 MHz ~ 54.000 MHz	50 Ω max.
12.0 MHz ~ 19.999 MHz	80 Ω max.						
20.0 MHz ~ 25.999 MHz	70 Ω max.						
26.0 MHz ~ 54.000 MHz	50 Ω max.						
Frequency Stability	±10 ppm / ±15 ppm / ±30 ppm						
Operating Temperature Range	-20°C to +70°C, -40°C to +85°C option						
Storage Temperature Range	-40°C to +85°C						
Aging (at +25°C) first year	±2 ppm / year max.						



*Crystals...
and more*

Now available



**digital electronic
siegfried lehrer gmbh**
Rudolf-Wanzl-Str. 3+5
D-89340 Leipheim / Germany
www.digitallehrer.de
digital@digitallehrer.de