

PRODUKT-INFO

CM-415 SMD CRYSTAL (UHRENQUARZ) TUNING FORK CRYSTAL

FEATURES

1. Ceramic package of tuning fork crystal units.
2. Ultra miniature and thin type. Best for high density circuit boards.

APPLICATION

Its low power consumption makes it ideal for application in portable equipments. Perfect for Pb-free products.

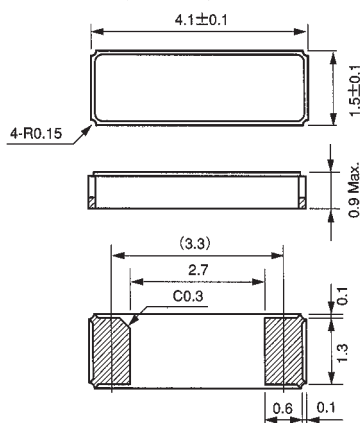


Actual Size

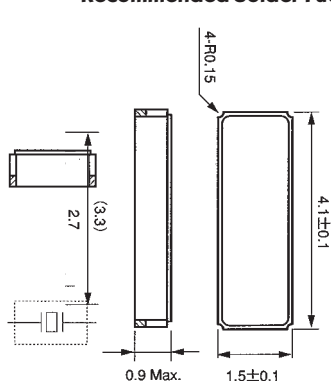


| ELECTRICAL SPECIFICATIONS | |
|---|--|
| Model | CM-415 |
| Nominal Frequency | 32.768 kHz |
| Frequency Tolerance (at +25°C) | ±20 ppm |
| Load Capacitance (C _L) | 9.0 pF, 12.5 pF typical |
| Temperature Coefficient | -0.034±0.006 ppm/°C ² typical |
| Equivalent Series Resistance (at +25°C) | 70 kΩ max. |
| Drive Level | 1 μW max. |
| Operating Temperature Range | -40°C to +85°C |
| Storage Temperature Range | -55°C to +125°C |
| Turnover Temperature | +25°C ±5°C |
| Aging (at +25°C) first year | ±3 ppm max. |
| Shunt Capacitance | 1.10 pF typical |
| Q-Factor | 53000 typical |

Dimensions (Units: mm)

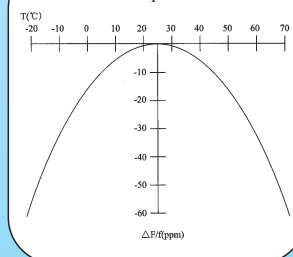


Recommended Solder Pattern



4.1 x 1.5 x 0.9

Parabolic Temperature Curve



*Crystals...
and more*

Now available

RoHS
COMPLIANT
2002/95/EC



**digital electronic
siegfried lehrer gmbh**
Rudolf-Wanzl-Str. 3+5
D-89340 Leipzig / Germany
www.digitallehrer.de
digital@digitallehrer.de

Telefon +49 (0) 82 21 / 7 08 - 0 · Telefax +49 (0) 82 21 / 7 08 - 80

All specifications subject to change without notice.