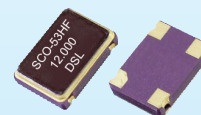


PRODUKT-INFO

SCO- 53 HF SMD HIGH FREQUENCY TOLERANCE OSCILLATOR

FEATURES

1. High frequency tolerance oscillator with size of 5.0 x 3.2 x 1.2 mm.
2. 1.8V, 2.5V or 3.3V supply voltage.



Actual Size

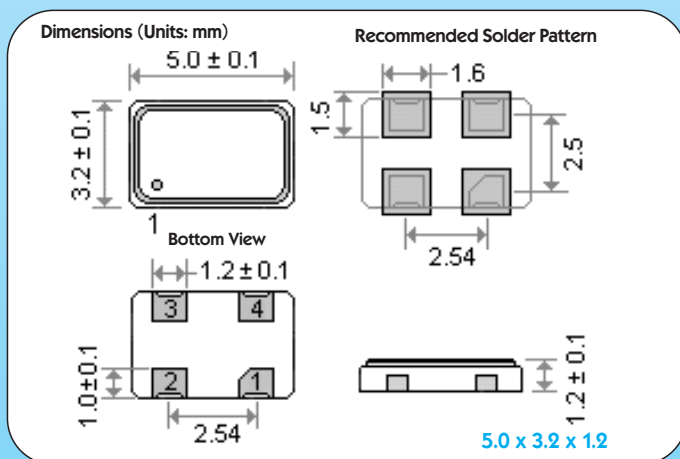


ELECTRICAL SPECIFICATIONS		
Model	Condition	SCO-53 HF
Frequency Range		1.0 ~56.0 MHz
Frequency Tolerance	at +25°C	±2 ppm max.
Frequency Stability	-10°C to +70°C -40°C to +85°C	enter the desired stability after the code „C“ enter the desired stability after the code „I“*
Operating Temperature Range		-10°C to +70°C commercial -40°C to +85°C industrial
Storage Temperature Range		-55°C to +150°C
Power Supply Voltage		1.8 V _{DD} ±10% / +2.5 V _{DD} ±10% / +3.3 V _{DD} ±10%;
Current Consumption at 15 pF Load	1.0~19.99 MHz	1.5 mA max. / 2.5 mA max. / 4.0 mA max.
	20~39.99 MHz	3.0 mA max. / 3.5 mA max. / 5.0 mA max.
	40.0~52.0 MHz	4.5 mA max. / 5.0 mA max. / 7.0 mA max.
Start Time		0.6 ms typical; 1.0 ms max.
Duty Cycle	at 1/2 V _{DD}	50% ±5%
Rise Time Fall Time	at 10~90% V _{DD} at 90~10% V _{DD}	2 ns typical; 4 ns max. 2 ns typical; 4 ns max.
Output Logic	„Low“ 0 : V _{OL} „High“ 1 : V _{OH}	0.1 V _{DD} typical; 0.4 V _{DD} max. 0.4 V _{DD} min.
Output Load		15 pF max.
Phase Jitter (RMS)	at 25 MHz, 3.3V	300 fs typical, at 12 KHz to 20 MHz integrated
SSB Phase Noise	Offset	10 Hz 100 Hz 1 KHz 10 KHz 100 KHz 1 MHz 10 MHz
	dBc/Hz typical	at 25 MHz, 3.3V -65 -100 -130 -145 -148 -152 -155
Aging	at +25°C	±2 ppm / for first year max.

General specification: at T_a=25°C, C_L=15pF

* for example: „C7“ for ±7 ppm over commercial temperature range.

**Tri-state Function on pad No.1



Terminal	Connection
#1**	Enable/Disable
#2	GND
#3	OUTPUT
#4	V _{DD}

Oscillators...
and more

Now available

RoHS
COMPLIANT
2002/95/EC

digital electronic
siegfried lehrer gmbh
Rudolf-Wanzl-Str. 3+5
D-89340 Leipheim / Germany
www.digitallehrer.de
digital@digitallehrer.de

Telefon +49 (0) 82 21 / 7 08 - 0 · Telefax +49 (0) 82 21 / 7 08 - 80

All specifications subject to change without notice.